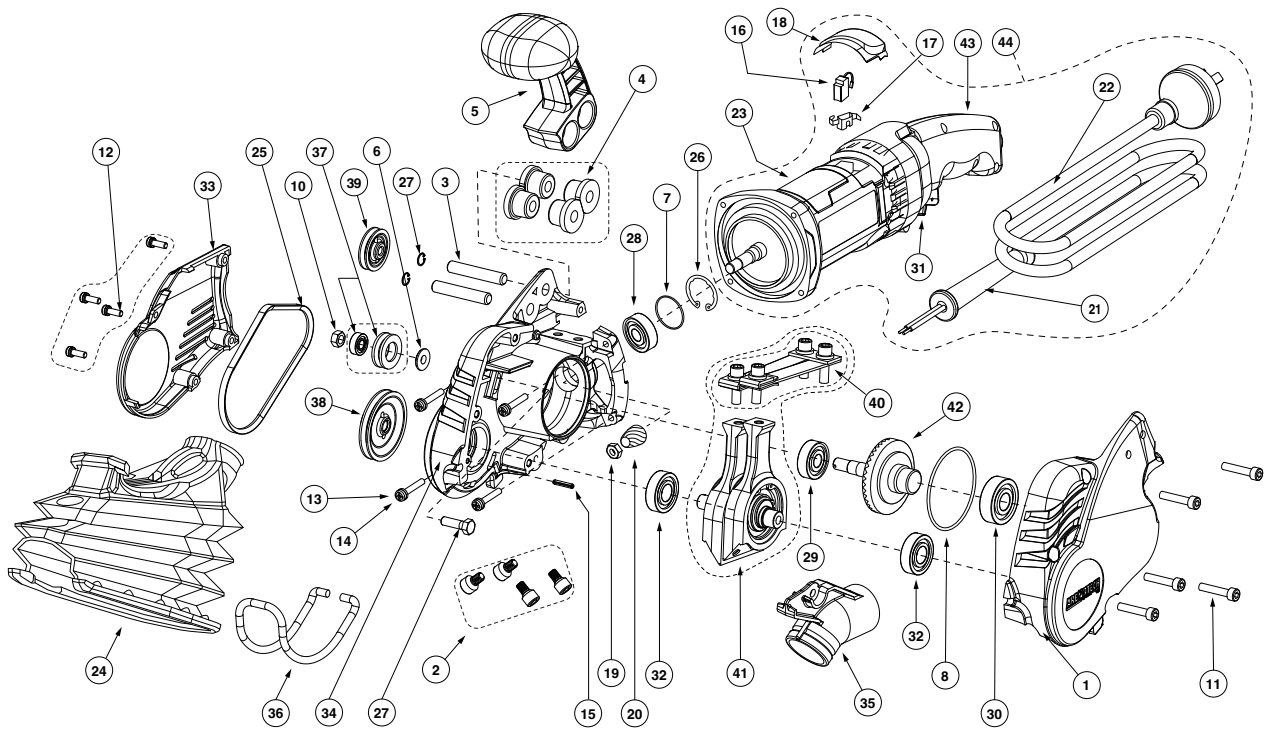


SPARE PARTS

ARBORTECH AS175



SPARE PARTS

ARBORTECH AS175

POS.	ITEM no.	DESCRIPTION	MODEL	QTY.
1	9001512	HOUSING, LEFT	AS170/175	1
2	9001030	BOLT, BLADE, M6 X 10	AS160/170/175	4
3	9001170	PIN, HANDLE	AS160/170/175	2
4	9001210	BUSH, RUBBER	AS160/170/175	4
5	9001230	HANDLE, TOP	AS160/170/175	1
6	9001130	WASHER, STEP M6	AS160/170/175	1
7	9001513	SEAL, O-RING, BS020	AS175	1
8	9001010	SEAL, AS170, O-RING, M52 X 2	AS160/170/175	1
9	9001460	BOLT, M6 X 20	AS160/170/175	1
10	1001072	NUT, M6, NYLOC	AS170/175	1
11	9001420	SCREW, HOUSING, M5 X 25	AS160/170/175	5
12	9001110	SCREW, BELT COVER, M4 X 12	AS160/170/175	4
13	9001514	WASHER, M4 X 1.5 (SUPPL. WITH ALL.FG.SCREW014)	AS170/175	4
14	9001440	SCREW, OUTER FIELD HOUSING, PT 4 X 25	AS160/170/175	4
15	9001450	PIN, DOWELL, M3 X 16	AS160/170/175	1
16	9001511	BRUSH, 240V	AS175	2
17	9001515	BRUSHBOX AND SPRING, ASSEMBLY	AS175	2
18	9001516	BRUSH COVER	AS175	1
19	9001517	NUT, PINION, AS175	AS175	1
20	9001518	PINION, AS175	AS175	1
21	9001310	CORD GUARD, 240V	AS175	1
22	9001315	CORDSET, EUROPEAN, 240V	AS175	1
23	9001519	FIELD CASE	AS175	1
24	9001321	BOOT, DUST EXTRACTION	AS160/170/175	1
25	9001510	BELT	AS175	1
26	9001520	CLIP, ARMATURE, 22 X 1.2	AS175	1
27	9001160	CLIP, HANDLE, INTERNAL, M8	AS160/170/175	2
28	9001006	BEARING, ARMATURE, FRONT, 608-05DD	AS170/175	1
29	9001521	BEARING, RIGHT CROWN, 638DD	AS175	1
30	9001410	BEARING, LEFT CROWN, 6201DU	AS160/170/175	1
31	9001522	SWITCH	AS175	1
32	9001370	BEARING, CAMSHAFT, 6001DU	AS160/170/175	1
33	9001270	COVER, BELT	AS160/170/175	1
34	9001523	HOUSING, RIGHT	AS175	1
35	9001330	BRACKET, DUST EXTRACTION	AS160/170/175	1
36	9001220	GUARD, WIRE	AS160/170/175	1
37	9001524	TENSION PULLEY AND BEARING, ASSEMBLY	AS175	1
38	9001525	PULLEY, DRIVEN	AS175	1
39	9001526	PULLEY, POWER	AS175	1
40	9001250	SPRING ASSEMBLY	AS160/170/175	1
41	9001240	CONROD, ASSEMBLY	AS160/170/175	1
42	9001527	CROWN SHAFT ASSEMBLY	AS175	1
43	9001528	HANDLE, REAR, LEFT AND RIGHT	AS175	1
44	9001529	MOTOR, EUROPEAN, 240V	AS175	1
	9001530	BAG, AS175 TOOL	AS175	1
	9001480	KEY, TORQUE, 18NM	AS160/170/175	1